

INSTALLATION INSTRUCTIONS



Colony® / Mainstream® / Reliant® 1.28 GPF ONE-PIECE TOILET, MODELS 2961A / 753AA

Thank you for selecting American Standard – the benchmark of fine quality for over 100 years. To ensure this product is installed properly, please read these instructions carefully before you begin. (Certain installations may require professional help.) Also be sure your installation conforms to local codes.

▲ CAUTION: PRODUCT IS FRAGILE. TO AVOID BREAKAGE AND POSSIBLE INJURY HANDLE WITH CARE!

NOTE: Pictures may not exactly define contour of china and components.

RECOMMENDED TOOLS AND MATERIALS

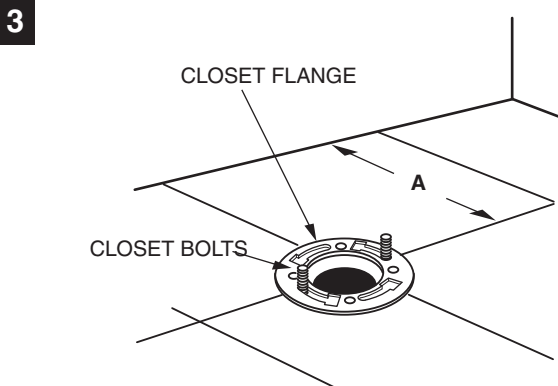
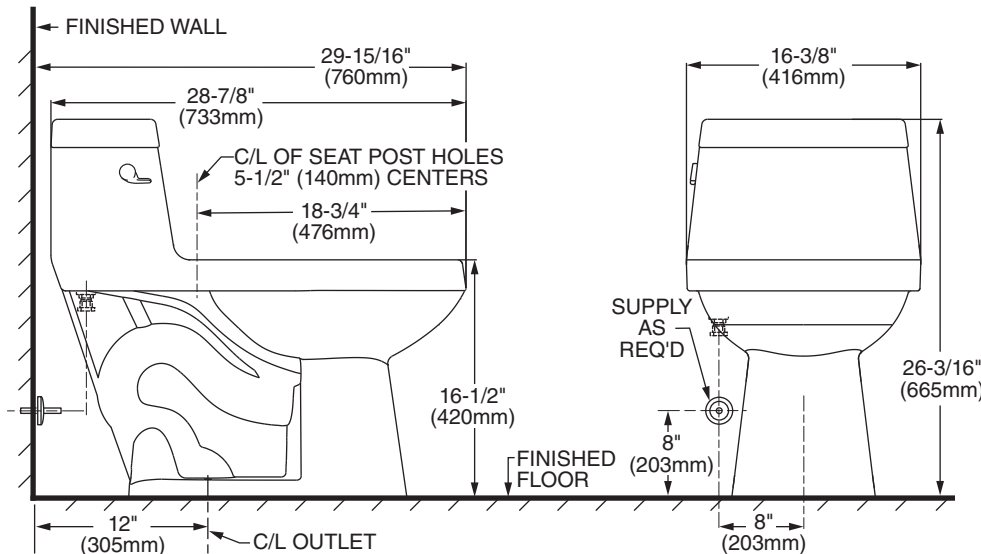
| | | | | |
|-------------|---------------------|----------------------|--------------|------------------|
| Putty Knife | Regular Screwdriver | Adjustable Wrench | Sealant | Tape Measure |
| Hacksaw | Wax Ring/Gasket | Flexible Supply Tube | Closet Bolts | Carpenters Level |

1 REMOVE OLD TOILET

- Close toilet supply valve and flush tank completely. Towel or sponge remaining water from tank and bowl.
- Disconnect and remove supply line. NOTE: *If replacing valve, first shut off main water supply!*
- Remove old mounting hardware, remove toilet and plug floor waste opening to prevent escaping sewer gases.
- Remove closet bolts from flange and clean away old wax, putty, etc. from base area.

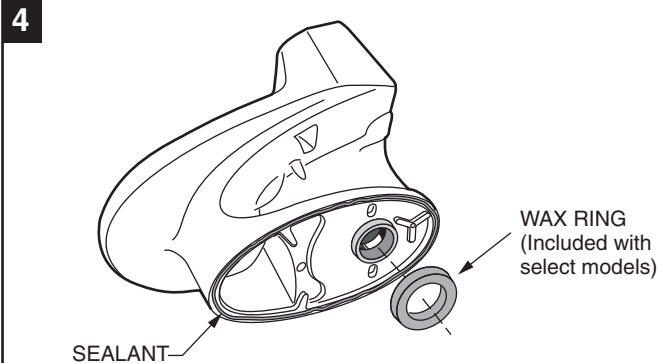
NOTE: Mounting surface must be clean and level **before** new toilet is installed!

2 ROUGHING-IN DIMENSIONS NOTE: Distance from wall to closet flange centerline must be as listed below:



INSTALL CLOSET BOLTS

Install closet bolts in flange channel, turn 90°, and slide into place 6" (152 mm) apart and parallel to wall.



INSTALL WAX SEAL

Invert toilet on floor (cushion to prevent damage), and install wax ring evenly around waste flange (horn), with tapered end of ring facing toilet. Apply a thin bead of sealant around toilet base.

SAVE FOR FUTURE USE



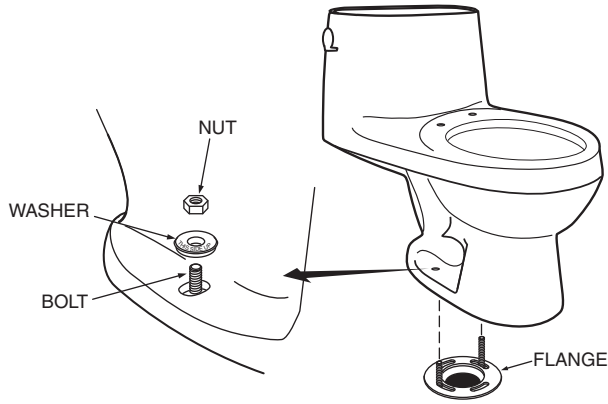
7301523-100R6

Product names listed herein are trademarks of AS America, Inc.
© AS America, Inc. 2020

7301523-100 Rev. 6 12/20

5**POSITION TOILET ON FLANGE**

- a. Unplug floor waste opening and install toilet on closet flange so bolts project through mounting holes.
- b. Loosely install retainer washers and nuts. Side of washers marked "THIS SIDE UP" *must* face up!

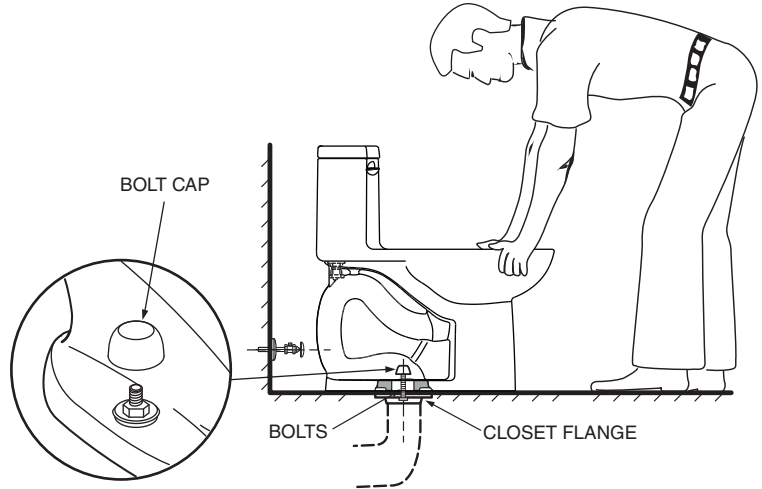
**6****INSTALL TOILET**

- a. Position toilet squarely to wall and, with a rocking motion, press bowl down fully on wax ring and flange. Alternately tighten nuts until toilet is firmly seated on floor.

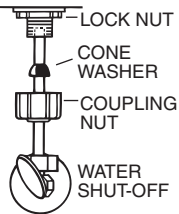


CAUTION:
DO NOT OVERTIGHTEN NUTS
OR BASE MAY BE DAMAGED!

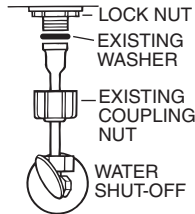
- b. Install caps on washers. (If necessary, cut bolt height to size before installing caps.)
- c. Smooth off the bead of sealant around base. Remove excess sealant.

**7****INSTALL TOILET SEAT** Install toilet seat in accordance with manufacturer's directions.**8a**

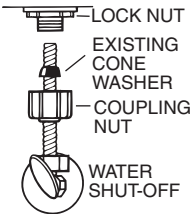
Before continuing, determine the type of water supply connection you have from the chart below and use the appropriate assembly parts required to properly reconnect the water supply. **DO NOT** use plumber's putty to seal these fittings.

METAL/COPPER FLARED TUBING

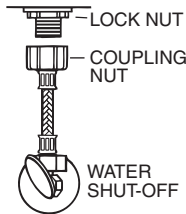
These parts must be used as illustrated to insure water-tight connection. Use of existing coupling nut may result in water leakage. Water supply tube or pipe must extend at least 1/2" inside threaded shank of valve (does not apply to flanged tubing).

METAL FLANGED TUBING

Use existing coupling nut and washer.

METAL SPIRAL TUBING

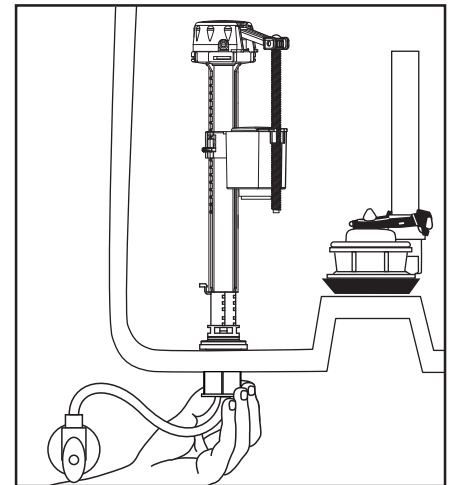
Use existing spiral cone washer. Fluidmaster cone washer may not seal completely on spiral type supply line.

VINYL / BRAIDED CONNECTOR

Captive cone washers already included. No additional washers needed.

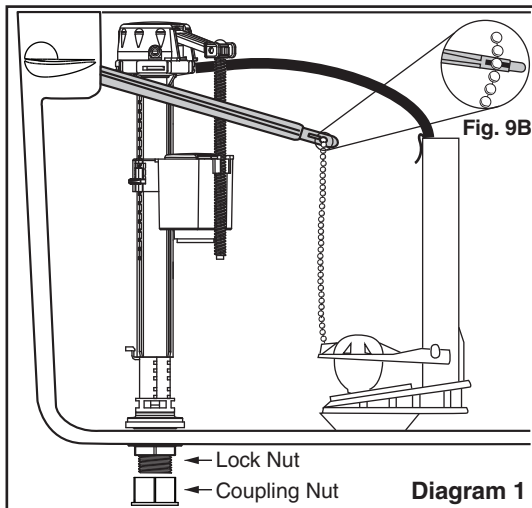
CAUTION: DO NOT USE CONE WASHER WITH PLASTIC SUPPLY LINE.

CAUTION: Overtightening of LOCK NUT or COUPLING NUT could result in breakage and potential flooding.

8b

With correct washers in place (see Step 8a), tighten **COUPLING NUT** 1/4 turn beyond hand tight. **DO NOT OVERTIGHTEN.**

9

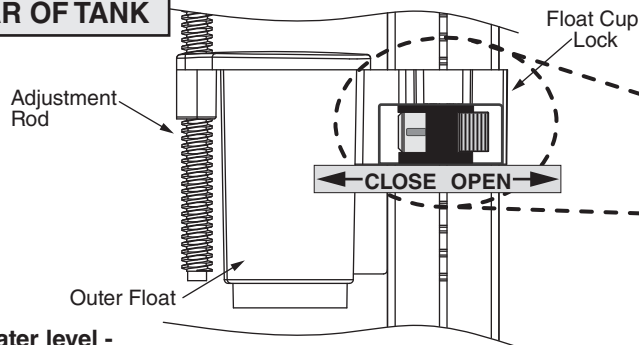


ADJUSTMENTS

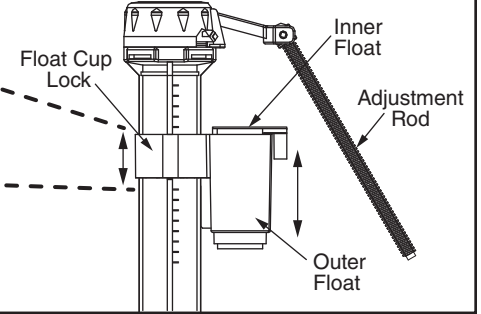
- Adjust water level. Water level should be adjusted to level indicated on tank by adjusting float cup.
See Step 10 for water level adjustment method.
- If bowl fails to siphon, an adjustment may be required with the lift chain. Simply remove the bead chain from the retainment clip (see Fig. 9B) and take up slack on the chain, and reinsert on lift rod. Make sure the chain is not too taut.

10

BACK OF INLET VALVE FACES REAR OF TANK



FRONT OF INLET VALVE FACES FRONT OF TANK



To raise or lower the water level -

Turn water supply off, slightly loosen the both the supply coupling nut and valve lock nut. Be careful not to loosen to the point where water is leaking from the tank.

Rotate the inlet valve clockwise to allow access to the float cup lock.

Slide the lock (Red Tab) to the open position.

Rotate the adjustment float rod 90 degrees and pull out of inner float clip.

Slide the float cup up or down (in 1/4" [6.3mm] increments) to position the top edge of the float cup to the desired water level.

Slide the lock (Red Tab) to the close position.

With the float arm in the down position, snap the adjustment arm into the inner float clip and rotate 90 degrees to lock in place.

Rotate the inlet valve counter - clockwise to the original orientation.

Tighten the valve lock-nut & supply coupling nut.

Turn on water supply and check water level, repeat if necessary.

11

CARE AND CLEANING

When cleaning your toilet, wash it with mild, soapy water, rinse thoroughly with clear water and dry with a soft cloth. Avoid detergents, disinfectants, or cleaning products in aerosol cans. NEVER use abrasive scouring powders or abrasive pads on your toilet seat. Some bathroom chemicals and cosmetics may damage the seat's finish.



WARNING: Do not use in-tank cleaners. Products containing chlorine (calcium hypochlorite) can seriously damage fittings in the tank. This damage can cause leakage and property damage.
American Standard shall not be responsible or liable for any tank fitting damage caused by the use of cleaners containing chlorine (calcium hypochlorite).

In the United States:

American Standard Brands
1 Centennial Ave
Piscataway, NJ 08854
Attention: Director of Consumer Affairs

For residents of the United States, warranty information may also be obtained by calling the following toll free number: (800) 442-1902
www.americanstandard.com

In Canada:

LIXIL Canada Inc.
5900 Avebury Rd.
Mississauga, Ontario
Canada L5R 3M3

Toll Free: (800) 387-0369
www.americanstandard.ca

In Mexico:

American Standard B&K Mexico
S. de R.L. de C.V.
Via Morelos #330
Col. Santa Clara

Ecatepec 55540 Edo. Mexico
Toll Free: 01-800-839-1200
www.americanstandard.com.mx